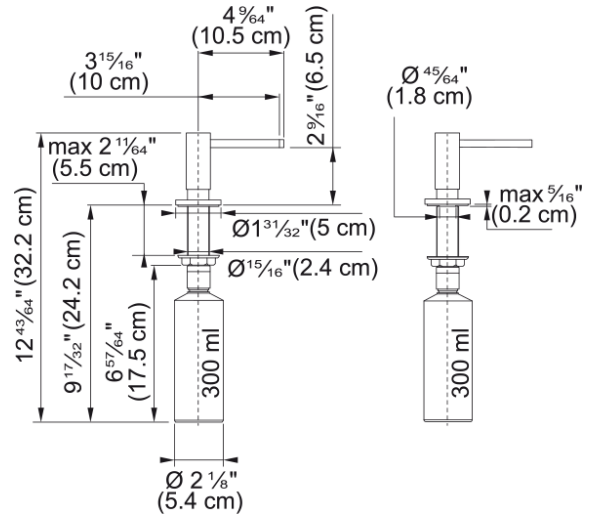


Active Soap Dispenser - ACT-SD-CHA | 119.0565.120



Technical Data

Aspect

Type of material	Stainless steel
Color	Champagne light
Accessory type	Soap dispenser

Product identification

Collection	Active
------------	--------